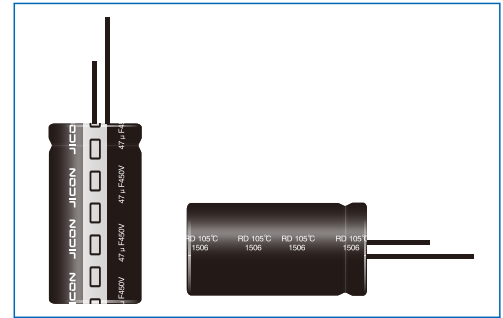


RD 系列 SERIES

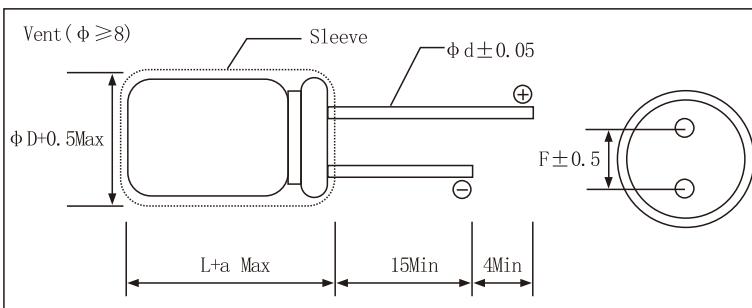
- 3000~5000 hours at 105°C
- high-reliability and professional applications
- RoHS Compliant



◆ SPECIFICATION

Items	Characteristics			
Operating Temperature Range(°C)	- 25 ~ +105° C			
Voltage range (V)	160V~500V			
Capacitance Range (μF)	2.2~330μF			
Capacitance Tolerance	±20% (at 20°C, 120Hz)			
leakage current (μA)	160 ~ 500V After 5 minute's at 20°C application of rated voltage, leakage current is not more than 0.02CV+15μA			
Dissipation Factor(Tan δ)	WV (V)	160~250	350~400	≥450
	Tan δ (max)	0.12	0.15	0.17
Low Temperature Characteristics	Rated Voltage (V)	160~250	350~400	500
	Z-25°C/Z+20°C	4	6	8
Load Life	The following specifications shall be satisfied when the capacitors are restored to 20°C after subjected to DC voltage with the rated rippled current is applied for 3000~5000 hours			
	Capacitance change	Within ±20%initial value		Case Dia
	D.F. (Tan δ)	Not more than 200% of specified value		Life time(hours)
	leakage current	Not more than specified value		
Shelf Life	The following specifications shall be satisfied when the capacitors are restored to 20°C after exposing them for 1,000 hours at 105°C without voltage applied .			
	Rated voltage	160 to 500V		
	Capacitance change	Within ±20%initial value		
	D.F. (Tan δ)	Not more than 200% of specified value		
leakage current	Not more than ≤ 200% of specified value			

◆ DIMENSIONS(mm)



φD	8	10	13	16	18
F	3.5	5.0	5.0	7.5	7.5
φd	0.5	0.6	0.6	0.8	0.8
a	1.5	1.5	1.5	2.0	2.0

◆ Frequency Coefficient

Frequency	50Hz	120Hz	300Hz	1kHz	10kHz	100kHz
Cap (μF)						
0.1~8.2	0.65	1.00	1.35	1.75	2.30	2.50
10~82	0.75	1.00	1.25	1.50	1.75	1.80
100~1000	0.80	1.00	1.15	1.30	1.40	1.50

◆ Temperature Coefficient

Temperature (°C)	+70	+85	+105
Coefficient	1.96	1.68	1.00

RD 系列 SERIES

◆ STANDARD RATINGS

UR (Surge Voltage) Code	Rated Capacitance	Rated Ripple Current 105 °C 120Hz	Size $\phi D \times L$
(V)	(μF)	(mA rms)	(mm)
160 (200) 2C	10	125	8×12
	22	200	10×16
	33	250	10×20
	47	300	10×20
	68	470	13×20
	82	510	13×20
	100	620	13×25
	150	770	16×20
	220	1020	16×25
	330	1390	18×31.5
200 (250) 2D	10	125	10×12
	22	200	10×16
	33	260	10×20
	47	390	10×20
	68	470	13×20
	82	550	16×20
	100	630	16×25
	150	840	16×25
	220	1050	18×25
	330	1430	18×30
250 (300) 2E	10	140	10×12
	22	200	10×20
	33	320	13×20
	47	390	13×20
	68	520	16×20
	82	550	16×25
	100	680	16×25
	150	860	18×25
	220	1130	18×31.5
	350 (400) 2V	6.8	110
10		140	10×16
22		260	13×20
33		360	16×20
47		430	16×20
68		560	16×25
82		610	18×25
100		700	18×25
150	960	18×35.5	

UR (Surge Voltage) Code	Rated Capacitance	Rated Ripple Current 105 °C 120Hz	Size $\phi D \times L$	
(V)	(μF)	(mA rms)	(mm)	
400 (450) 2G	1	22	6.3×12	
	2.2	35	8×12	
	3.3	50	8×12	
	4.7	75	8×12	
	6.8	110	10×16	
	10	140	10×16	
	15	220	13×20	
	22	260	13×20	
	33	360	16×20	
	47	470	16×25	
		450	18×20	
	68	585	18×25	
	82	610	18×25	
	100	765	18×31.5	
	120	865	18×35.5	
	450 (500) 2W	150	985	18×40
2.2		35	8×12	
3.3		50	8×12	
4.7		75	10×16	
6.8		110	10×20	
10		180	13×20	
15		240	13×25	
22		290	13×25	
33		390	16×25	
47		380	18×20	
		480	18×25	
68		630	18×31.5	
82		715	18×31.5	
100		800	18×40	
500 (550) 2H		2.2	49	10×16
		3.3	68	10×20
	4.7	84	13×20	
	10	145	13×25	
	22	230	16×25	
	33	295	16×31.5	
	47	415	18×31.5	
	68	530	18×35.5	
	82	590	18×40	

Customer products are available on request